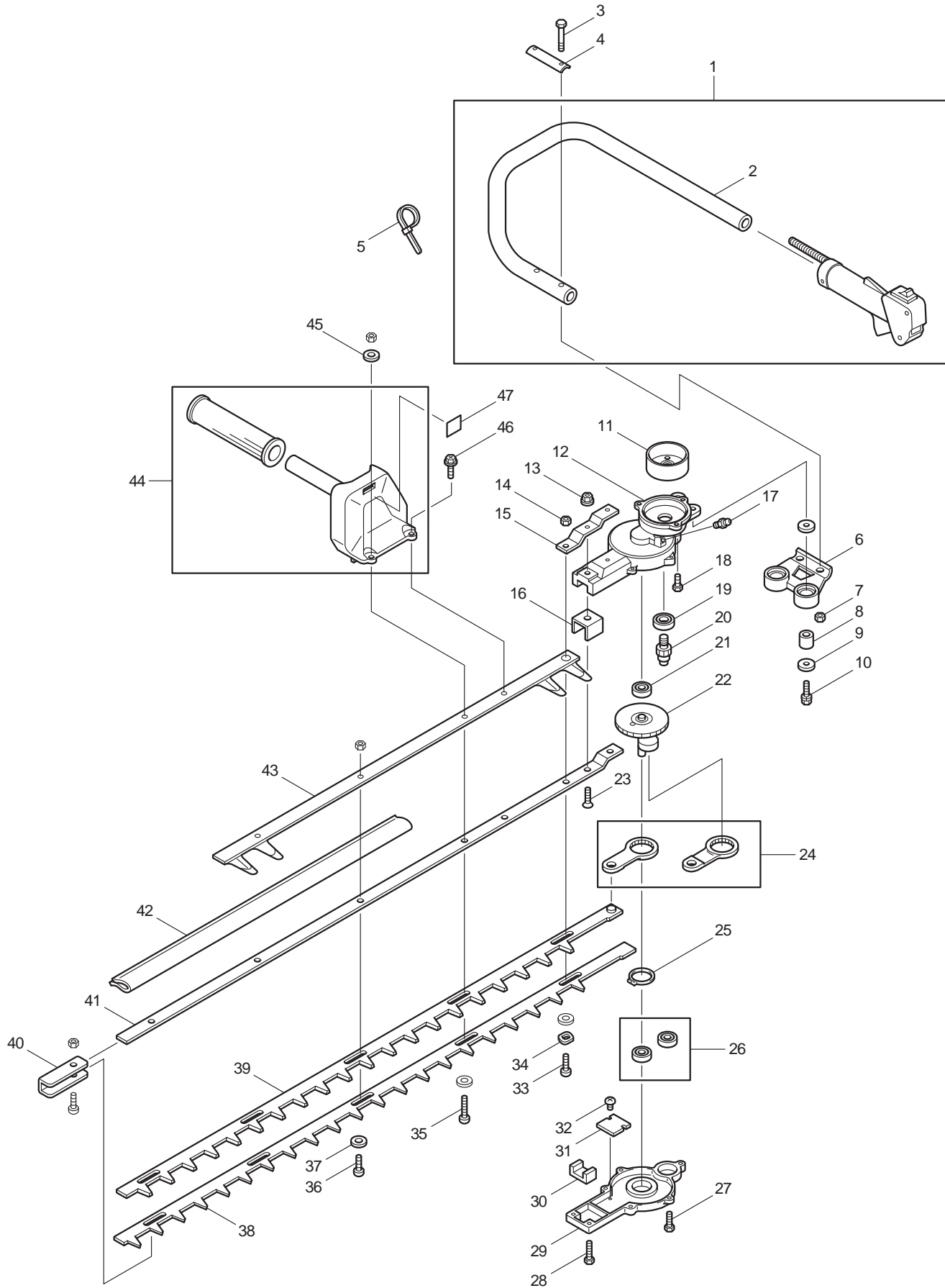


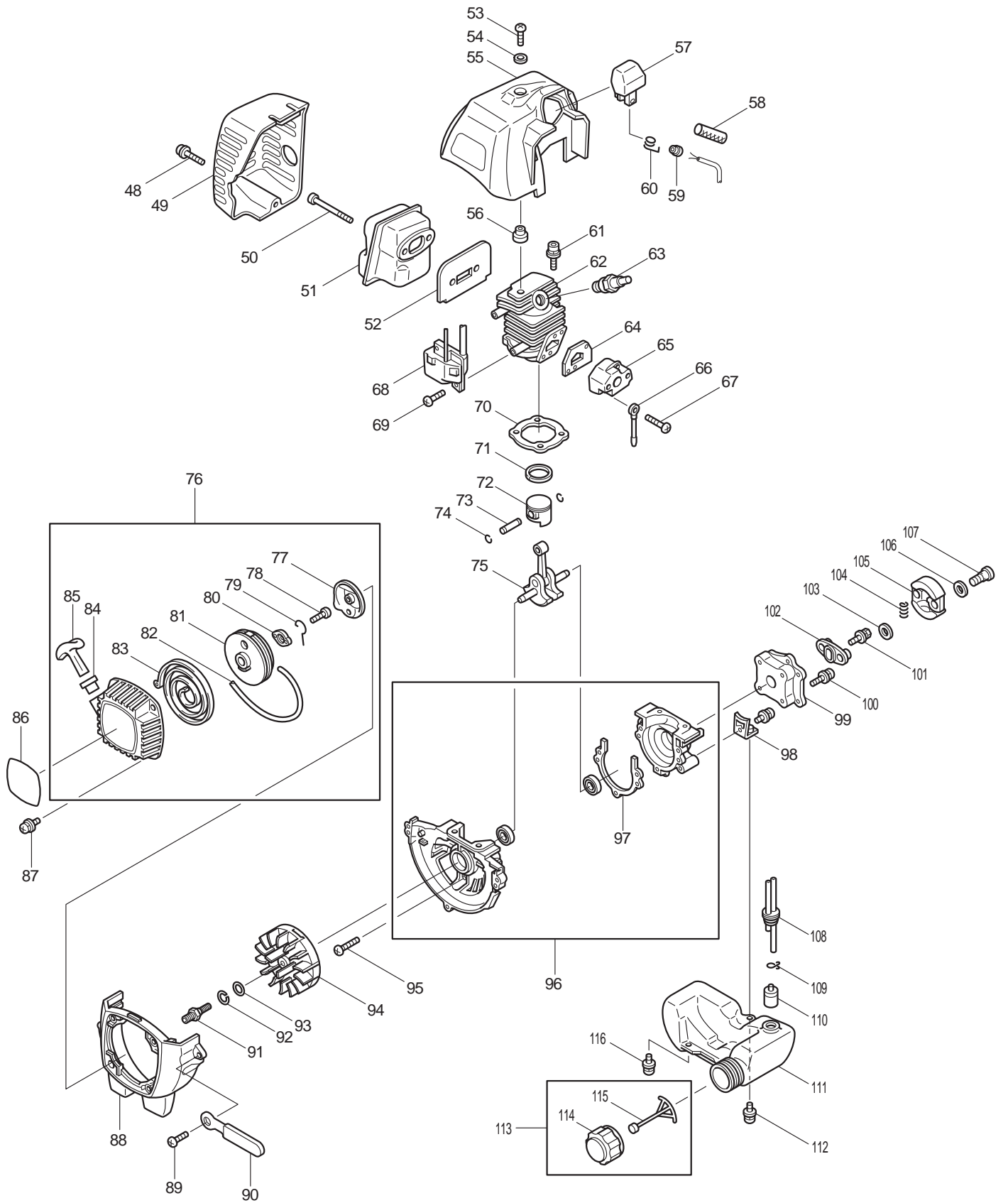


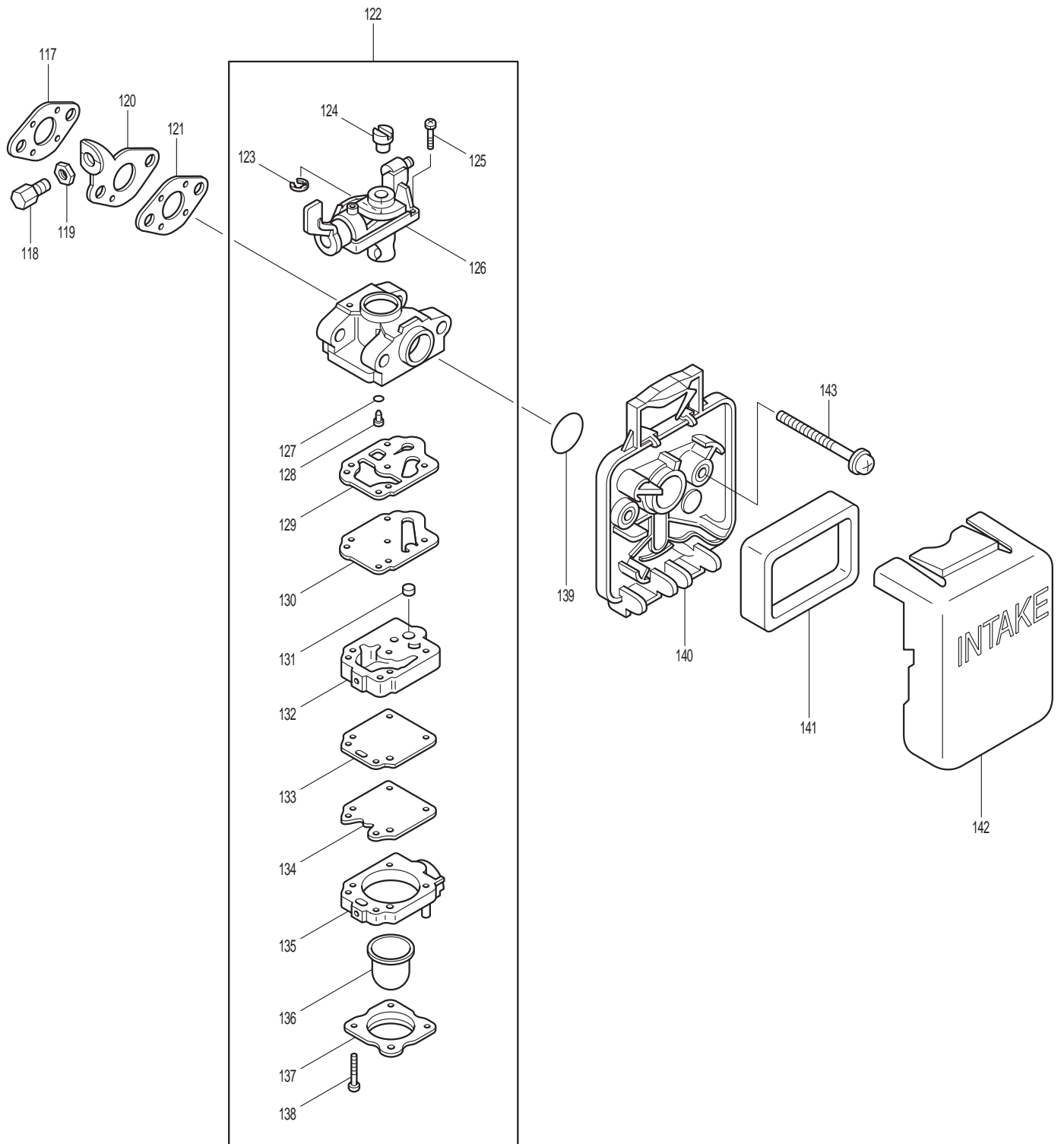
03 - 2010

HTR7610

24.5CC HEDGE TRIMMER 30" (SGL)







| Item No. | Type | Sub | Part No. | Description | Qty | Unit |
|----------|------|-----|--------------|-------------------------------|-----|------|
| 2 | | | 1361620000 | HANDLE (LEFT) | 1 | PC. |
| 3 | | | L040050283 | BOLT M5X28 | 2 | PC. |
| 4 | | | 1361030000 | HANDLE FITTING | 1 | PC. |
| 5 | | | 0035002100 | CORD BINDER | 2 | PC. |
| 6 | | | 1361000000 | HANDLE HOLDER | 1 | PC. |
| 7 | | | 0150050000 | NUT M5 | 2 | PC. |
| 8 | | | 0732090000 | COLLAR | 2 | PC. |
| 9 | | 2 | 207060231K | WASHER 6X22X2.3 | 4 | PC. |
| 10 | | | 0054060250 | BOLT M6X25 | 2 | PC. |
| 11 | | | 1361410000 | DRUM COMPLETE | 1 | PC. |
| 12 | | | 0326100002 | UPPER CASE | 1 | PC. |
| 13 | | | 0162050000 | FLANGE NUT M5 | 2 | PC. |
| 14 | | | 0164060000 | U-NUT M6 | 5 | PC. |
| 15 | | | 0325102004 | PLATE | 1 | PC. |
| 16 | | | 0325103004 | PLATE | 1 | PC. |
| 17 | | | 0055000100 | GREASE NIPPLE M6 | 1 | PC. |
| 18 | | | 0054060160 | BOLT M6X16 | 3 | PC. |
| 19 | | | 0354060010 | BALL BEARING UU 6001 | 1 | PC. |
| 20 | | | 1361420000 | PINION GEAR | 1 | PC. |
| 21 | | | 0353006080 | BALL BEARING ZZ 608 | 1 | PC. |
| 22 | | | 1360030000 | GEAR CRANK ASS'Y | 1 | PC. |
| 23 | | | 0011050205 | SCREW M5X20 | 2 | PC. |
| 24 | | 1 | TE1A044000 | ROD - N/L/A | 2 | PC. |
| | | 2 | 1A044000TE | ROD | 2 | PC. |
| 25 | | | 0283026000 | SNAP RING | 1 | PC. |
| 26 | | | 0353006080 | BALL BEARING ZZ 608 | 2 | PC. |
| 27 | | | 0054050160 | BOLT M5X16(WSW) | 5 | PC. |
| 28 | | | 0054050160 | BOLT M5X16(WSW) | 2 | PC. |
| 29 | | | 0325101002 | LOWER CASE | 1 | PC. |
| 30 | | | 0325104004 | FELT | 1 | PC. |
| 31 | | | 0301100000 | ROD SLIDING PLATE | 1 | PC. |
| 32 | | | 0010030050 | SCREW M3X5 | 2 | PC. |
| 33 | | | 0040003009 | SCREW M6X22 | 2 | PC. |
| 34 | | | 0229060000 | WAVE WASHER | 1 | PC. |
| 35 | | | 0040004009 | SCREW | 1 | PC. |
| 36 | | | 0040002009 | SCREW L=19 | 2 | PC. |
| 37 | | | 0082500000 | BLADE SLIDING WASHER | 4 | PC. |
| 38 | | | 6018505301 | BLADE (LOWER) | 1 | PC. |
| 39 | | | 6018505200 | BLADE (UPPER) | 1 | PC. |
| 40 | | | 0271450000 | END REINFORCER | 1 | PC. |
| 41 | | | 1361160000 | GUIDE PLATE | 1 | PC. |
| 42 | | | 0028109009 | BLADE COVER | 1 | PC. |
| 44 | | | 1361900000 | HANDLE (RIGHT) | 1 | PC. |
| 45 | | | 0207060104 | WASHER M6 | 1 | PC. |
| 46 | | | 0055060181 | BOLT M6X18 | 1 | PC. |
| 47 | | | 6609508600 | CAUTION LABEL | 1 | PC. |
| 48 | | | 0140059290 | SCREW ASSY | 1 | PC. |
| 49 | | | 5253500500 | MUFFLER COVER | 1 | PC. |
| 50 | | 1 | 0119059550 | SOCKET HEAD BOLT | 2 | PC. |
| | | 2 | 266754-1 | SOCKET HEAD BOLT | 2 | PC. |
| 51 | | | 5253071000 | EXHAUST MUFFLER | 1 | PC. |
| 52 | | | 5253500102 | MUFFLER GASKET | 1 | PC. |
| 53 | | | 0140059490 | SCREW | 1 | PC. |
| 54 | | | 020-00700-10 | WASHER | 1 | PC. |
| 55 | | | 5255500301 | CYLINDER COVER (MAKITA COLOR) | 1 | PC. |
| 56 | | | 5503503001 | SPACER | 1 | PC. |

| Item No. | Type | Sub | Part No. | Description | Qty | Unit |
|----------|------|------|------------|----------------------------|-----|------|
| 57 | | | 5237503301 | PLUG CAP | 1 | PC. |
| 59 | 1 | | 5257500300 | GROMMET | 1 | PC. |
| | 2 | | 424313-9 | GROMMET | 1 | PC. |
| 60 | 1 | | 0654009931 | PLUG CAP SPRING - N/L/A | 1 | PC. |
| | 2 | | 324891-8 | PLUG CAP SPRING | 1 | PC. |
| 61 | 1 | | 0119059730 | SOCKET HEAD BOLT M5X20 | 2 | PC. |
| | 2 | | 266814-9 | HEX SOCKET HEAD BOLT M5X20 | 2 | PC. |
| 62 | 1 | | 5251500201 | CYLINDER | 1 | PC. |
| | 2 | | 5231501804 | CYLINDER | 1 | PC. |
| | 3 | | 318762-9 | CYLINDER | 1 | PC. |
| 63 | | | 168663-9 | SPARK PLUG(BM7A) | 1 | PC. |
| | | | 168662-1 | SPARK PLUG(BMR7A) | 1 | PC. |
| 64 | | | 5253500200 | INSULATOR GASKET | 1 | PC. |
| 65 | 1 | | 5233014000 | INSULATOR COMPL. | 1 | PC. |
| | 2 | | 141056-5 | INSULATOR COMPLETE | 1 | PC. |
| 66 | 1 | | 6165500201 | WIRE | 1 | PC. |
| | 2 | | 638784-6 | WIRE | 1 | PC. |
| 67 | 1 | | 0140059500 | SCREW M5X25 | 2 | PC. |
| | 2 | | 266700-4 | PAN HEAD SCREW M5X25 | 2 | PC. |
| 68 | | | 5257001021 | COIL | 1 | PC. |
| 69 | | | 0140049920 | SCREW ASS'Y M4X20 | 2 | PC. |
| 70 | 1 | | 5231502304 | CYLINDER GASKET | 1 | PC. |
| | 2 | | 442171-1 | CYLINDER GASKET | 1 | PC. |
| 71 | 1 | | 5242500701 | PISTON RING | 1 | PC. |
| | 2 | | 257979-8 | PISTON RING | 1 | PC. |
| 72 | | | 5232501902 | PISTON | 1 | PC. |
| 73 | 1 | | 5232502600 | PISTON PIN | 1 | PC. |
| | 2 | | 257781-9 | PISTON PIN | 1 | PC. |
| 74 | 1 | | 0565089970 | CLIP | 2 | PC. |
| | 2 | | 233976-8 | CLIP | 2 | PC. |
| 75 | 1 | | 5252002001 | CRANKSHAFT COMPLETE | 1 | PC. |
| | 2 | | 5252002002 | CRANKSHAFT COMPLETE | 1 | PC. |
| 76 | | | 5255052000 | REWIND STARTER | 1 | PC. |
| | | INC. | | Item No.77-85 | | |
| 77 | | | 5255505900 | PULLY | 1 | PC. |
| 78 | 1 | | 5195002060 | SET SCREW | 1 | PC. |
| | 2 | | 266585-8 | TAPPING SCREW 5X12 | 1 | PC. |
| 79 | 1 | | 5195002100 | SWING ARM | 1 | PC. |
| | 2 | | 325923-4 | SWING ARM | 1 | PC. |
| 80 | 1 | | 5195002110 | COLLAR | 1 | PC. |
| | 2 | | 451938-6 | COLLAR | 1 | PC. |
| 81 | 1 | | 5195002030 | REEL | 1 | PC. |
| | 2 | | 452972-9 | REEL | 1 | PC. |
| 82 | 1 | | 5255016020 | STARTER ROPE | 1 | PC. |
| | 2 | | 444024-0 | STARTER ROPE | 1 | PC. |
| 83 | 1 | | 5195002050 | SPIRAL SPRING | 1 | PC. |
| | 2 | | 234220-6 | SPIRAL SPRING | 1 | PC. |
| 84 | 1 | | 5255001040 | DAMPER | 1 | PC. |
| | 2 | | 424359-5 | DAMPER | 1 | PC. |
| 85 | 1 | | 5225004020 | HANDLE | 1 | PC. |
| | 2 | | 424319-7 | STARTER KNOB | 1 | PC. |
| 86 | | | 6019509100 | MODEL LABEL | 1 | PC. |
| 87 | | | 0140049760 | SCREW ASSEMBLY | 4 | PC. |
| 88 | | | 5255505700 | BLOWER HOUSING | 1 | PC. |
| 89 | 1 | | 0140059350 | SCREW ASS'Y M5X18(WSW) | 3 | PC. |
| | 2 | | 266699-3 | PAN HEAD SCREW M5X18 | 3 | PC. |

| Item No. | Type | Sub | Part No. | Description | Qty | Unit |
|----------|------|------|--------------|--------------------------|-----|------|
| 90 | 1 | | 0566059980 | CLAMP | 1 | PC. |
| | 2 | | 345963-6 | CLAMP | 1 | PC. |
| 91 | | | 5257501400 | BOLT | 1 | PC. |
| 92 | | | 003-20060-00 | SPRING WASHER | 1 | PC. |
| 93 | | | 0031206000 | WASHER | 1 | PC. |
| 94 | | | 5257041010 | FLYWHEEL | 1 | PC. |
| 95 | 1 | | 0140059520 | SCREW M5X25 | 3 | PC. |
| | 2 | | 266701-2 | PAN HEAD SCREW M5X25 | 3 | PC. |
| 96 | | | 5251003000 | CRANKCASE COMPLETE | 1 | PC. |
| | | INC. | | Item No.97 | | |
| 97 | 1 | | 5231502202 | CRANKCASE GASKET | 1 | PC. |
| | 2 | | 424447-8 | CRANK CASE GASKET | 1 | PC. |
| 98 | | | 5256002000 | TANK PLATE COMPLETE | 1 | PC. |
| 99 | 1 | | 1181240000 | SPACER | 1 | PC. |
| | 2 | | 318892-6 | SPACER | 1 | PC. |
| 100 | 1 | | 0140059350 | SCREW ASS'Y M5X18(WSW) | 4 | PC. |
| | 2 | | 266699-3 | PAN HEAD SCREW M5X18 | 4 | PC. |
| 101 | 2 | | 5235504700 | BOLT ASS'Y | 1 | PC. |
| | 3 | | 266703-8 | HEX. HEAD BOLT M6X14 | 1 | PC. |
| 102 | | | 6202500000 | HOLDER | 1 | PC. |
| 103 | 1 | | 6202500600 | WASHER | 2 | PC. |
| | 2 | | 267429-5 | FLAT WASHER 6 | 2 | PC. |
| 104 | | | 5238500500 | CLUTCH SPRING | 1 | PC. |
| 105 | | | 6252500801 | CLUTCH SHOE | 2 | PC. |
| 106 | 1 | | 0200089911 | WASHER M8 | 2 | PC. |
| | 2 | | 267817-6 | WASHER 8 | 2 | PC. |
| 107 | 1 | | 6252500400 | CLUTCH BOLT | 2 | PC. |
| | 2 | | 266457-7 | SHOULDER HEX. BOLT M6X25 | 2 | PC. |
| 108 | | | 5256012001 | TUBE ASS'Y | 1 | PC. |
| 109 | 1 | | 0561059990 | HOSE CLAMP | 1 | PC. |
| | 2 | | 345920-4 | HOSE CLAMP | 1 | PC. |
| 110 | 1 | | 5236503900 | FILTER | 1 | PC. |
| | 2 | | 163447-0 | GASOLINE FILTER | 1 | PC. |
| 111 | | | 5256025000 | FUEL TANK COMPLETE | 1 | PC. |
| 112 | | | 0140059290 | SCREW ASSY | 2 | PC. |
| 113 | 1 | | 5256059000 | FUEL TANK CAP COMPLETE | 1 | PC. |
| | | INC. | | Item No. 114115 | | |
| | 2 | | 168668-9 | FUEL TANK CAP COMPLETE | 1 | PC. |
| | | INC. | | Item No. 114115 | | |
| 114 | 1 | | 5256058000 | FUEL TANK CAP | 1 | PC. |
| | 2 | | 452920-8 | FUEL TANK CAP | 1 | PC. |
| 115 | 1 | | 5256067000 | STRAP | 1 | PC. |
| | 2 | | 140436-2 | STRAP COMPLETE | 1 | PC. |
| 116 | | | 0150059800 | TAPPING SCREW M5X18 | 2 | PC. |
| 117 | 2 | | 442177-9 | GASKET (OLD 5256501200) | 1 | PC. |
| 118 | 1 | | 5316020020 | CABLE ADJUST SCREW | 1 | PC. |
| | 2 | | 326084-3 | CABLE ADJUST SCREW M6X13 | 1 | PC. |
| 119 | 1 | | 5316005450 | CABLE ADJUST NUT | 1 | PC. |
| | 2 | | 264065-8 | CABLE ADJUST NUT M6 | 1 | PC. |
| 120 | | | 5256500100 | CABLE BRACKET | 1 | PC. |
| 121 | | | 5256501200 | GASKET | 1 | PC. |
| 122 | | | 5256008000 | CARBURETOR | 1 | PC. |
| | | INC. | | Item No.123-125127-138 | | |
| 123 | 1 | | 5316005120 | RING | 1 | PC. |
| | 2 | | 257964-1 | STOP RING E-3 | 1 | PC. |

| Item No. | Type | Sub | Part No. | Description | Qty | Unit |
|----------|------|-----|------------|----------------------------|-----|------|
| 124 | 1 | | 5236018040 | SWIVEL | 1 | PC. |
| | 2 | | 325922-6 | SWIVEL | 1 | PC. |
| 125 | 1 | | 5206008030 | PAN HEAD SCREW | 2 | PC. |
| | 2 | | 266581-6 | PAN HEAD SCREW M3X8 WITH W | 2 | PC. |
| 127 | 1 | | 5246001010 | O RING | 1 | PC. |
| | 2 | | 213538-8 | O RING 2 | 1 | PC. |
| 128 | 1 | | 5026004010 | JET | 1 | PC. |
| | 2 | | 326085-1 | JET | 1 | PC. |
| 129 | 1 | | 5246001030 | PUMP GASKET | 1 | PC. |
| | 2 | | 442172-9 | PUMP GASKET | 1 | PC. |
| 130 | 1 | | 5246001040 | PUMP DIAPHRAGM | 1 | PC. |
| | 2 | | 168575-6 | PUMP DIAPHRAGM | 1 | PC. |
| 131 | 1 | | 5016004010 | INLET SCREEN | 1 | PC. |
| | 2 | | 352010-6 | INLET SCREEN | 1 | PC. |
| 132 | | | 5256007010 | PUMP BODY ASS'Y | 1 | PC. |
| 133 | 1 | | 5236046040 | METERING DIAPHRAGM GASKET | 1 | PC. |
| | 2 | | 442154-1 | METERING DIAPHRAGM GASKET | 1 | PC. |
| 134 | 1 | | 5316005250 | METERING DIAPHRAGM ASS'Y | 1 | PC. |
| | 2 | | 168767-7 | METERING DIAPHRAGM | 1 | PC. |
| 135 | 1 | | 5236046060 | AIR PURGE BODY ASSEMBLY | 1 | PC. |
| | 2 | | 140988-3 | AIR PURGE BODY ASSEMBLY | 1 | PC. |
| 136 | 1 | | 5246001150 | PRIMER PUMP | 1 | PC. |
| | 2 | | 424314-7 | PRIMER PUMP | 1 | PC. |
| 137 | 1 | | 5236046050 | PRIMER PUMP COVER | 1 | PC. |
| | 2 | | 346270-0 | PRIMER PUMP COVER | 1 | PC. |
| 138 | 1 | | 5236046010 | PUMP COVER SCREW | 4 | PC. |
| | 2 | | 266582-4 | TAPPING SCREW 3X24 | 4 | PC. |
| 139 | | | 5236061000 | O RING | 1 | PC. |
| 140 | | | 5253004010 | AIR CLEANER HOUSING | 1 | PC. |
| 141 | | | 5203004010 | AIR FILTER | 1 | PC. |
| 142 | | | 5203004030 | AIR CLEANER COVER | 1 | PC. |
| 143 | | | 0043305650 | SCREW ASS'Y | 2 | PC. |
| 144 | | | 0083450000 | GRIP | 1 | PC. |
| 145 | | | 0630049900 | CONTROL CABLE | 1 | PC. |
| 146 | | | 6255004000 | CONTROL LEVER | 1 | PC. |
| 147 | | | 010050250K | SCREW M5X25(W/SW) | 1 | PC. |
| 148 | | | 1361150000 | SWITCH STAY | 1 | PC. |
| 149 | | | 150050000K | NUT M5 | 1 | PC. |
| 150 | | | 0083730000 | SWITCH ASS'Y | 1 | PC. |
| 151 | | | 013070010A | TUBE | 1 | PC. |
| 152 | | | 052145004A | LABEL | 1 | PC. |
| 153 | | | 0083450000 | GRIP | 1 | PC. |
| 154 | | | 286115001A | BLADE GUARD (Added) | 1 | PC. |

ACCESSORIES

- See Catalogue or visit www.makita.ca for more accessories -

| | | | | | | |
|-----|--|--|------------|--------------------|---|-----|
| A01 | | | 5019001000 | ACCESSORY TOOL KIT | 1 | PC. |
|-----|--|--|------------|--------------------|---|-----|